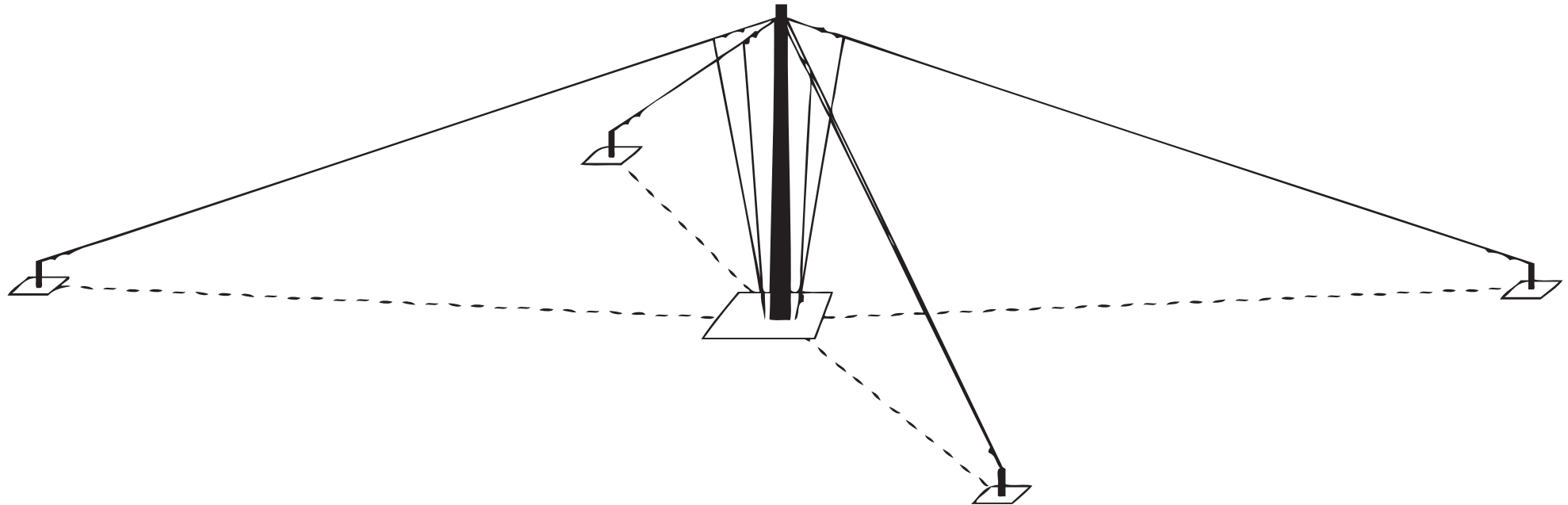


REV	MODIFICATIONS	DRAWN BY	CHECKED BY	DATE
A	CREATION	GI	GI	7/13/2011



Frequency Range	2 to 30 MHz with SWR <2:0:1
Approximate overall dimensions	85 x 85 x 20 metres
Radiation Pattern	Omnidirectional: Short, medium and long range communications possible
Power Capability	Power Capability
Radiating elements	1 kW continuous
Connection	SS Wire Rope 3.2mm
Input Impedance	At base of central mast (to suit requirements) 50 ohms (nominal)

UNLESS OTHERWISE SPECIFIED DIMENSIONS : mm ANGLES : d.		NEARSON INC.				
CUSTOMER N°	TITLE : Broadband HF base station antenna system					
FILE N°						
	SIZE A4	NMO-01-0033				
	SCALE : N.D.	<table border="1" style="width: 100%;"> <tr> <td>REV A</td> <td>Doc.</td> </tr> <tr> <td colspan="2" style="text-align: center;">SHEET 1 of 1</td> </tr> </table>		REV A	Doc.	SHEET 1 of 1
REV A	Doc.					
SHEET 1 of 1						