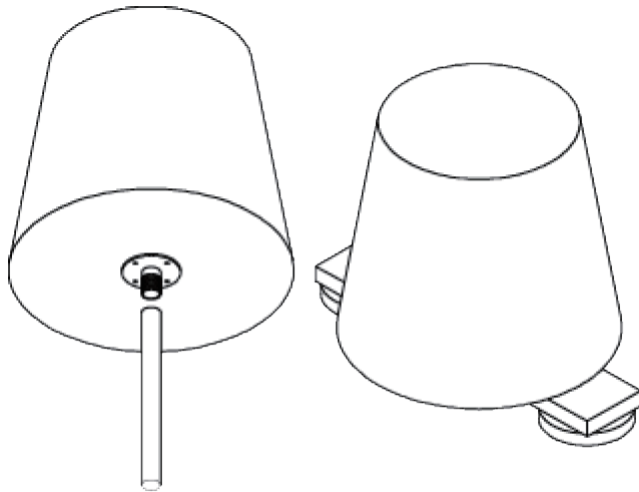


REV	MODIFICATIONS	DRAWN BY	CHECKED BY	DATE
A	CREATION	GI	GI	7/13/2011



Colour	Standard is Bronze Olive. Option other colours to order.
Frequency Range	225-400 MHz
Polarisation	Vertical linear
Gain	+2dBi minimum over frequency range
VSWR	<1.9:1 over frequency range
Impedance (output)	50Ω (nominal)
Power Capability	100w CW
Connection	short coaxial cable tail with N type connector
Overall Dimensions (approx)	335mm (13.2 in) (h) x 375mm (14.8 in) (dia)
Mounting Pole Length	300mm (11.8 in) long, 25.4mm (1 in) dia; mounting clamps not included
Vehicle Magnetic Mount	500 x 80mm bar with magnetic couplings each end
Wind Survival	160 km/h (100mph)
Weight (approx)	7kg (15.4 lbs) (vehicle mount version)
Packed Weight	8kg (17.6 lbs) (vehicle mount version)



UNLESS OTHERWISE SPECIFIED DIMENSIONS : mm ANGLES : d.		NEARSON INC.			
CUSTOMER N°	TITLE :	Broadband Omnidirectional UHF Ground to Air System			
FILE N°					
		SIZE A4	NMO-01-0040		
		SCALE : N.D.		<table border="1" style="width: 100%;"> <tr> <td style="text-align: center;">REV A</td> <td style="text-align: center;">Doc.</td> </tr> <tr> <td style="text-align: center;">Prod.</td> <td></td> </tr> </table>	REV A
REV A	Doc.				
Prod.					
		SHEET 1 of 1			