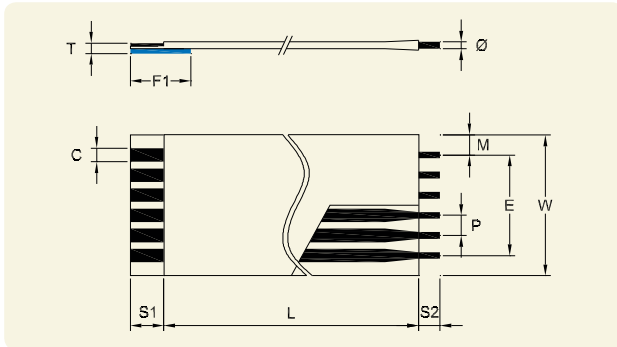


Processing forms

Type B

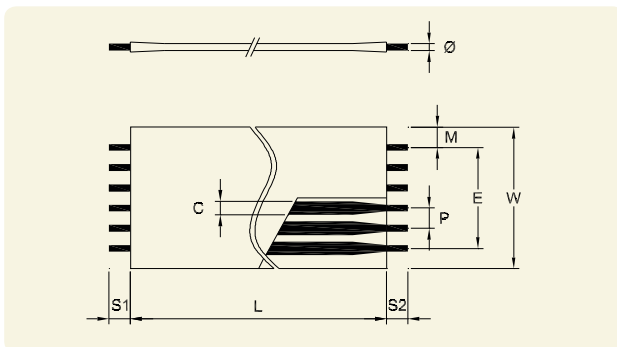
Tin plated copper round conductors on one end with flat conductors on the other end.



STANDARD RFC TYPE B

Type C

Tin plated copper round conductors on both ends, straight on both sides.



STANDARD RFC TYPE C

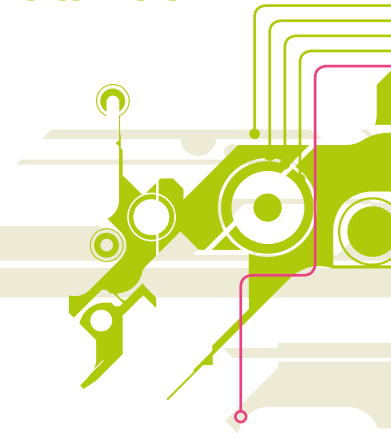
$E = (N-1) \times P$,
 $W = (N+1) \times P$,
 Where $P =$ pitch,
 $N =$ Number of conductors

Dimensions

Pitch P (mm)	1.00	1.25/1.27	1.90	2.00	2.54	5.08
Max. number of conductors	50	50	38	37	32	13
Insulated length (mm) L	15 to 999					
Pin diameter (mm) \varnothing	0.32	0.32	0.40	0.40	0.51	0.51
Standard wire gauge (AWG)	28	28	26	26	24	24
Flat conductor width (mm) C	0.7	0.8	1.3	1.3	1.5	1.5
Flat conductor thickness (mm)	0.115	0.10	0.10	0.10	0.12	0.12
Margin (mm) M	1.00	1.25/1.27	1.905	2.00	2.54	2.54

Other pitches and designs available on request.

Flat Cables with round pins AXOSTRIP®



AXOSTRIP® is a flat cable with round pins which can be soldered or inserted to achieve board-to-board interconnections.

Advantages

- High flexibility,
- High resistance to vibration and bending: reliable connection joint,
- Lower production costs: wave-soldered with the other components onto the PCB in the same operation,
- Lower purchasing costs since no connectors are required for type C,
- Type B is dismantlable, only one connector is needed,
- Preparation wire stripping and cutting to length is not required,
- ZIF interface if needed (when flat conductors on one end).

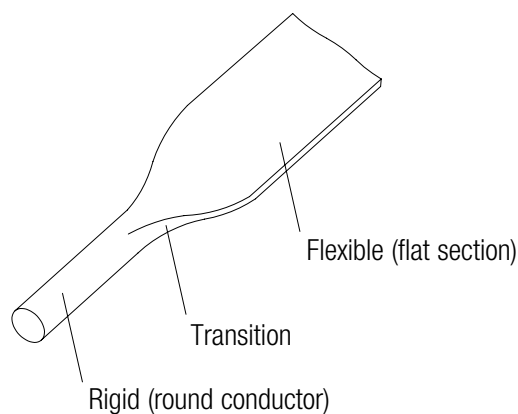


General characteristics



ARAMID INSULATED AXOSTRIP®

Conductor



Insulation

Polyester, Polyimide or Aramid.

Type of insulation tape

Pitch P (mm)		1.00	1.25/1.27	1.90	2.00	2.54	5.08
Insulation tape	Polyester 105°C	B		H			
	Aramid 125°C	W					
	Polyimide 125°C	Z					

Electrical properties

Pitch P (mm)	1.00	1.25/1.27	1.90	2.00	2.54	5.08
Max. current rating at 20°C (A)	1	1.6	2.0	2.0	3.0	3.0
Max. voltage rating (VAC)	60	60	300	300	300	300

UL approval

UL certification on request.

Identification code

RFC 2.54 B 10 /0100 H 4.0 - 3.5 - 08.0 - 00.0 S A L-

Type of reinforcement:

L : blue ; "-" without reinforcement

Tape marking :

A : Not marked

Conductor thickness

Standard

Reinforcement length in mm

Default F1=08.0 mm

Strip length in mm

Type B default S1=4.0 ; S2=3.5

Type C default S1=S2=3,5

Type of insulation tape

(see above table)

Insulated length (mm)

Number of conductors

Type of end

B: round conductors on one end,

flat conductors on the other end

C: round conductors on both ends.

Pitch

Round-to-flat Cable:

AXOSTRIP®

